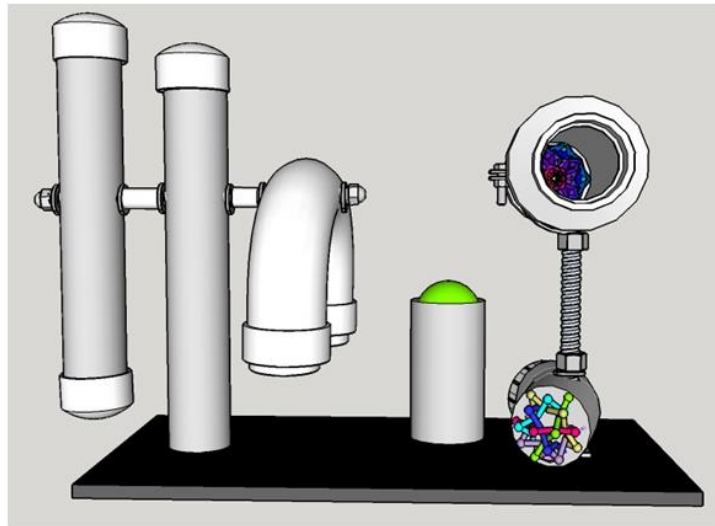
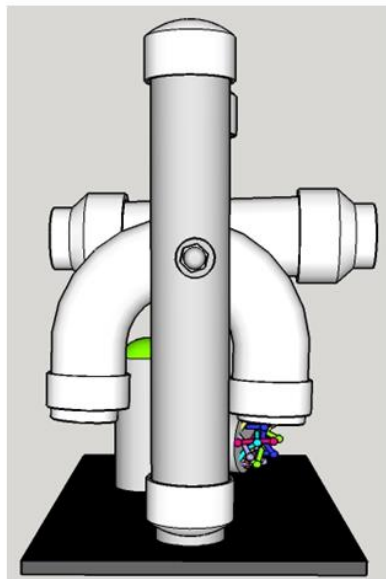
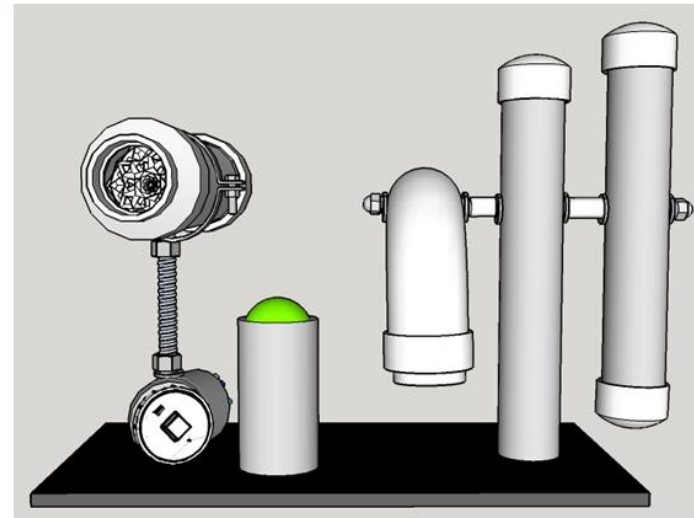


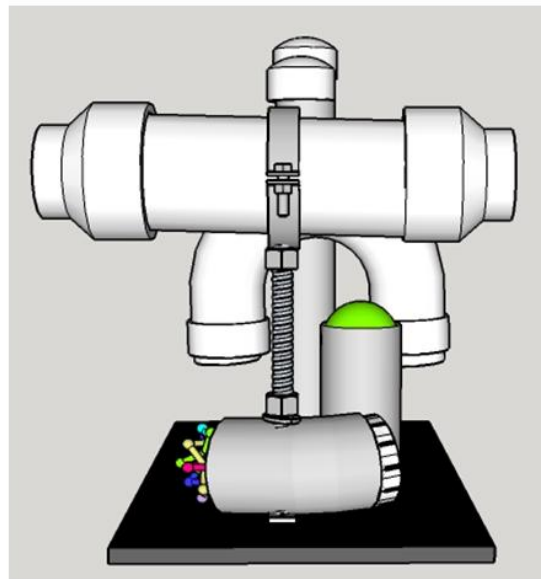
Front View



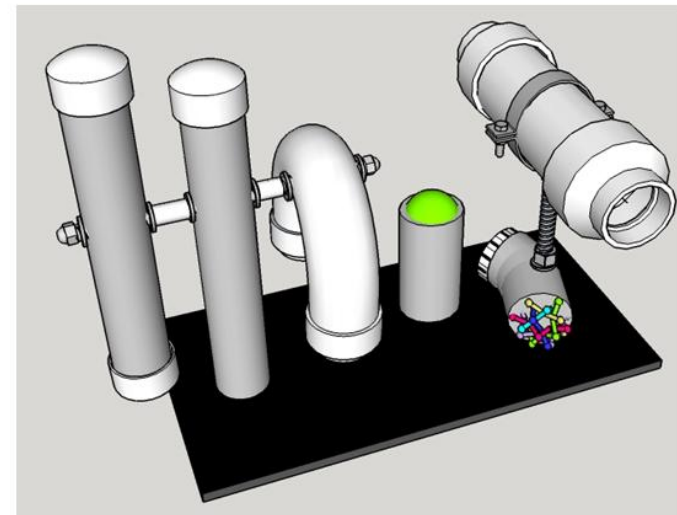
Back View



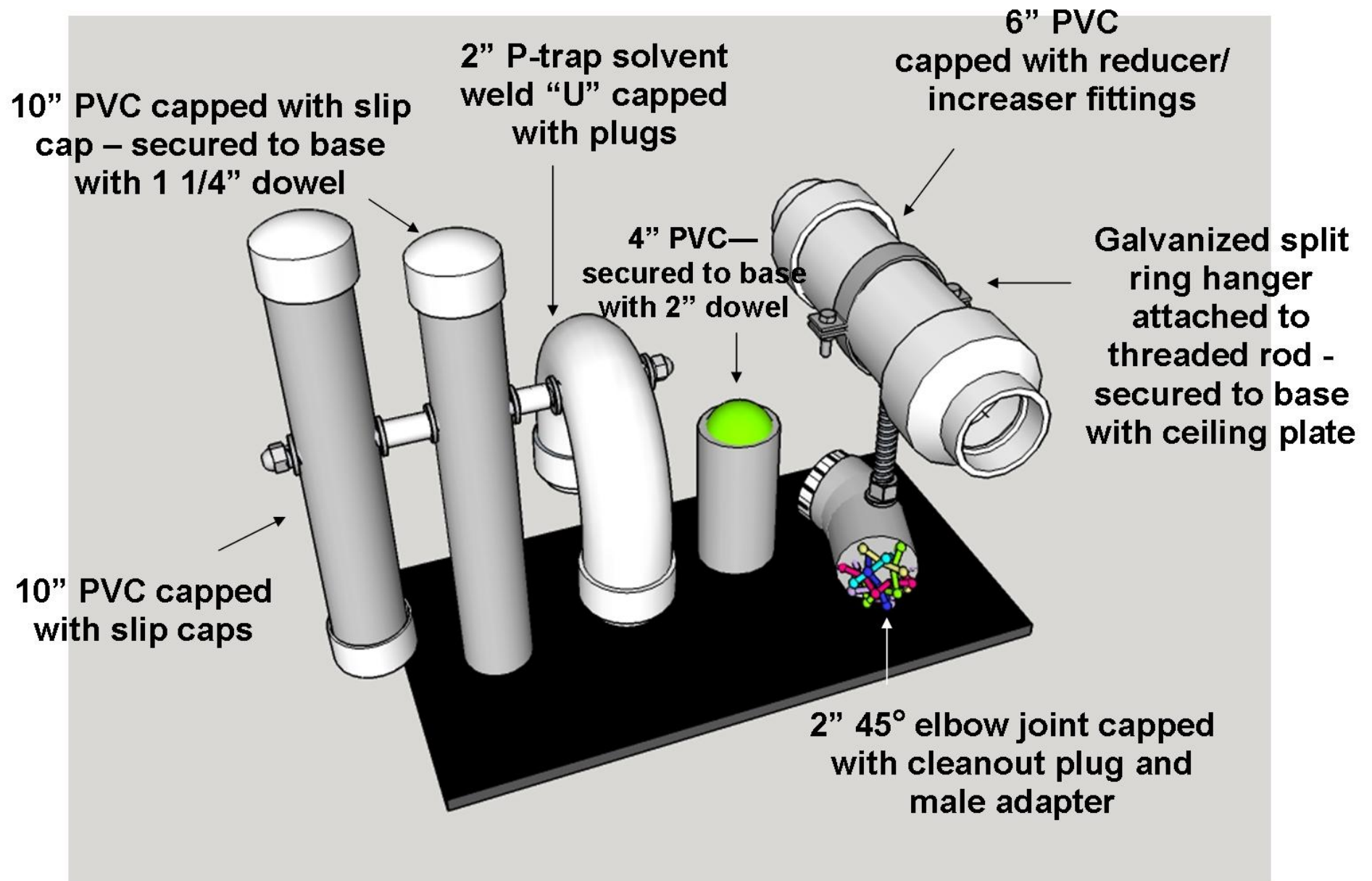
Side View (L)



Side View (R)



Top View



Novel Toy - Parts & Sources

Item	Source	Amount Per Toy
Plywood Base	Home Depot	16 X 9" rectangle
1" Super Sliders Self-stick Grippers (for plywood base)	Home Depot	4
1-1/2" PVC Pipe	Home Depot	2 lengths, ~10" each
2" PVC Pipe	Home Depot	2 lengths, 4" and 6"
2" X 1-1/2" PVC Reducer/Increaser Fitting	Home Depot	2
2" PVC Plug	Home Depot	2
1-1/2" PVC Slip Cap	Home Depot	3
2" 450 PVC Elbow joint	Home Depot	1
2" PVC Cleanout Plug	Home Depot	1
2" PVC Male Adapter (for cleanout plug)	Home Depot	1
2" PVC P-trap Solvent Weld (only need the "u" part)	Home Depot	1
3/8" Threaded Rod	Home Depot	2 lengths, 10" and 6"
2" Galvanized Split Ring Hanger	Home Depot	1
Felt (to line split ring hanger)	Jo-Ann Fabric	Small piece
Small zip ties (to secure split ring hanger and squishy toy inside tube)	Home Depot	2
3/8" Galvanized Ceiling Plate	Home Depot	1
3/8" Cap Nuts	Home Depot	2
5/16" Zinc-plated Flat Washers	Home Depot	7
1/2" OD Nylon Spacer	Home Depot	2
3/8" Hex nuts	Home Depot	2
1-1/4" Dowel (to secure stationary tube to base)	Home Depot	~ 4 inches
2" Dowel (to secure LED ball tube to base)	Home Depot	~ 2 inches
Assorted small screws	Home Depot	Handful
1/4" Jingle bells	Jo-Ann Fabric	Handful
1/4" Wooden beads	Jo-Ann Fabric	Handful
Small LED ball (Boing brand) *only the cover of the second ball is used - doubled up so it fits tight in the tube)	US Astro Jax	2
Psychedelic Kaleidoscope	Tin Toy Arcade	1
Squishy toy (Squigglet Sensory Bracelet)	National Autism Resources	1